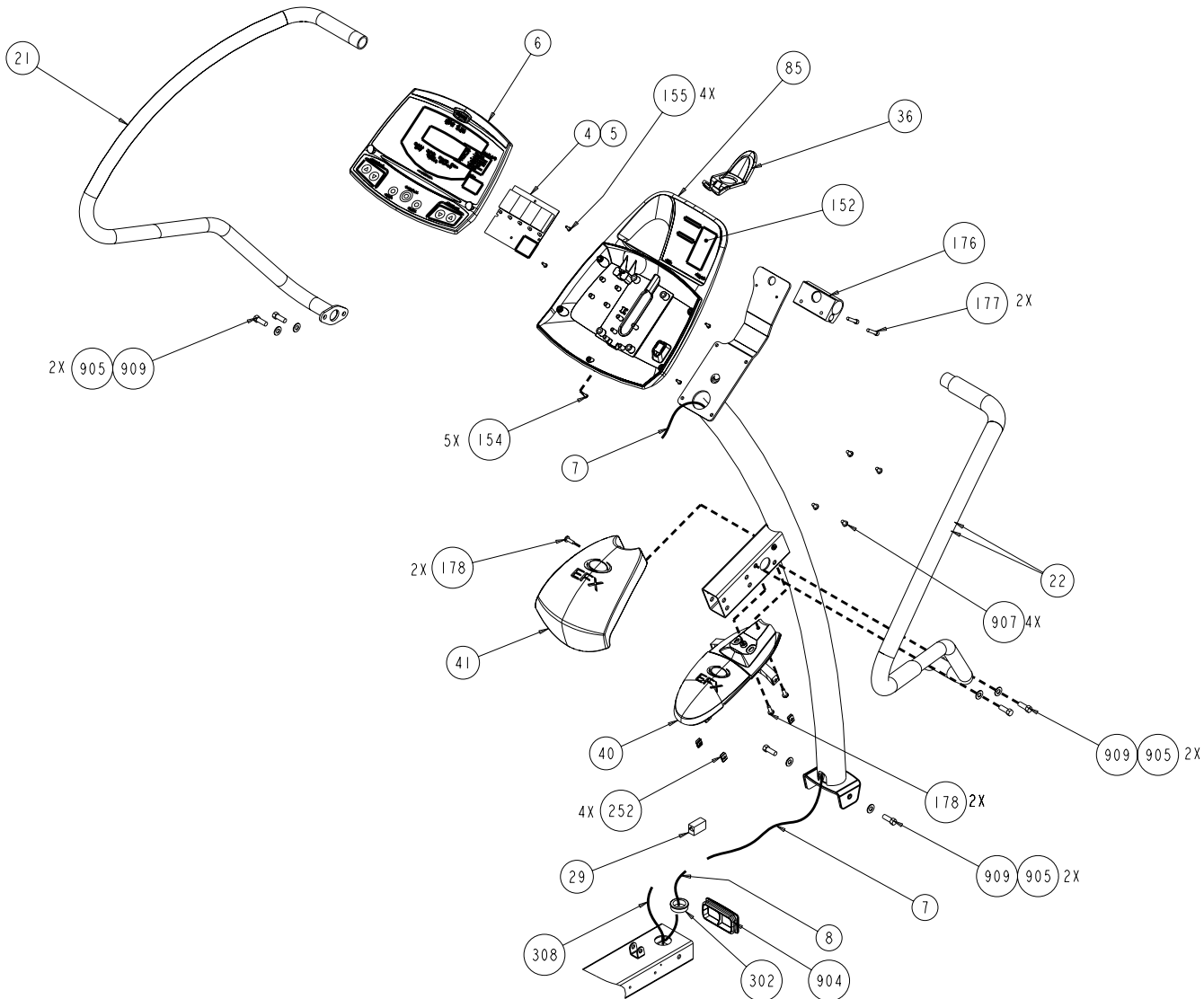
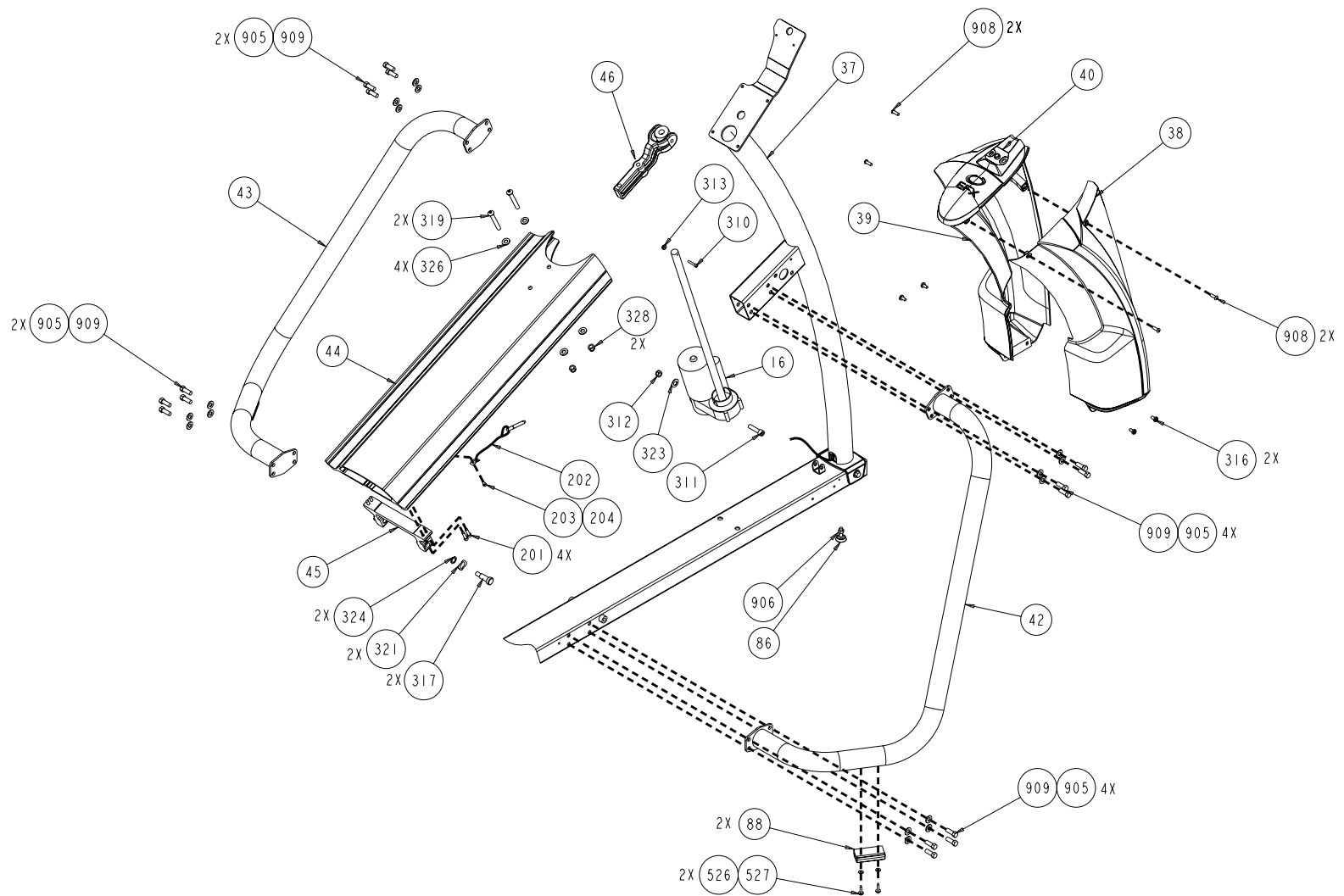


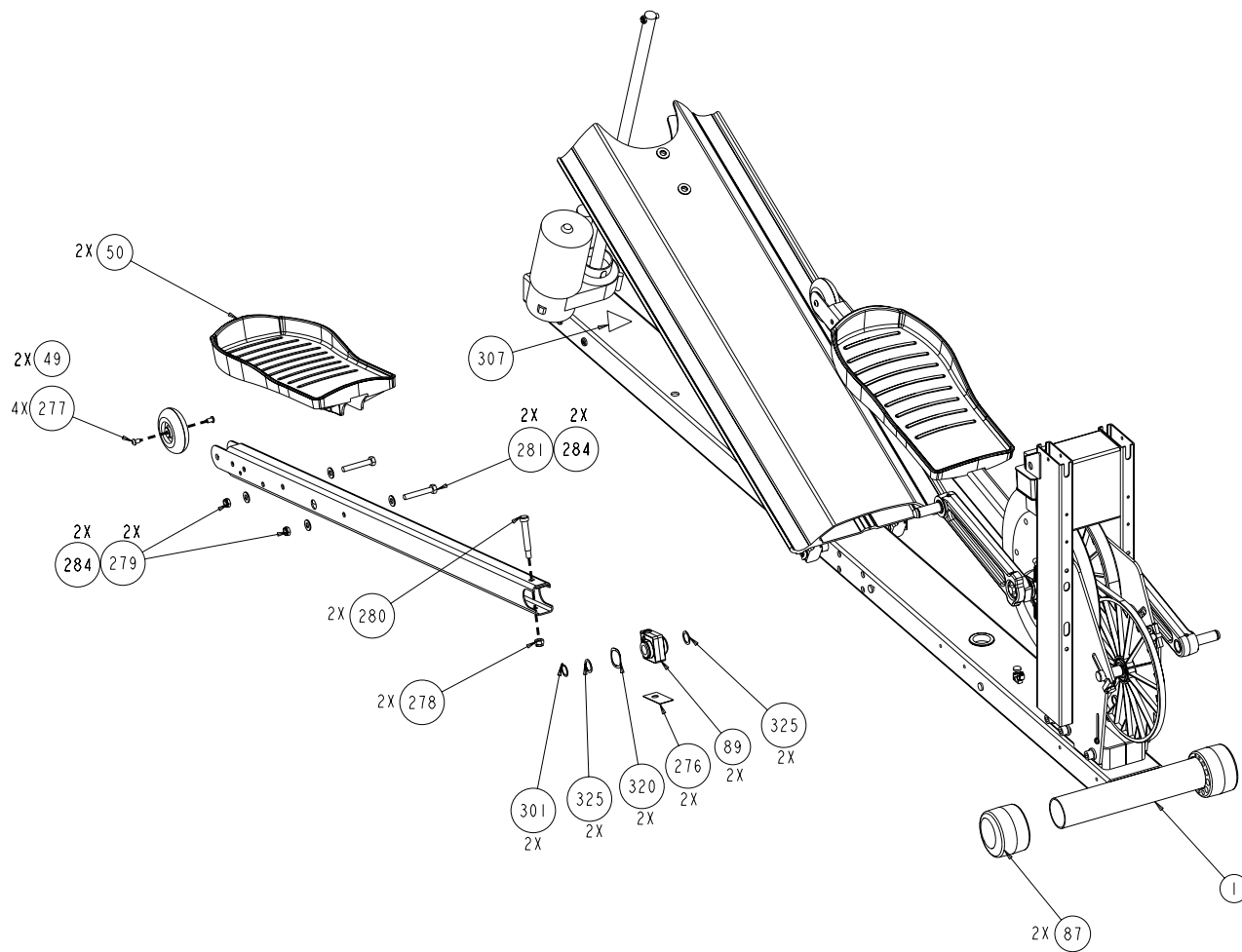
5.21i	P/N 44710-101	REV: L02
DRAWN BY: THOMSON	DATE: 23.OCT.08	SHEET 1 OF 6



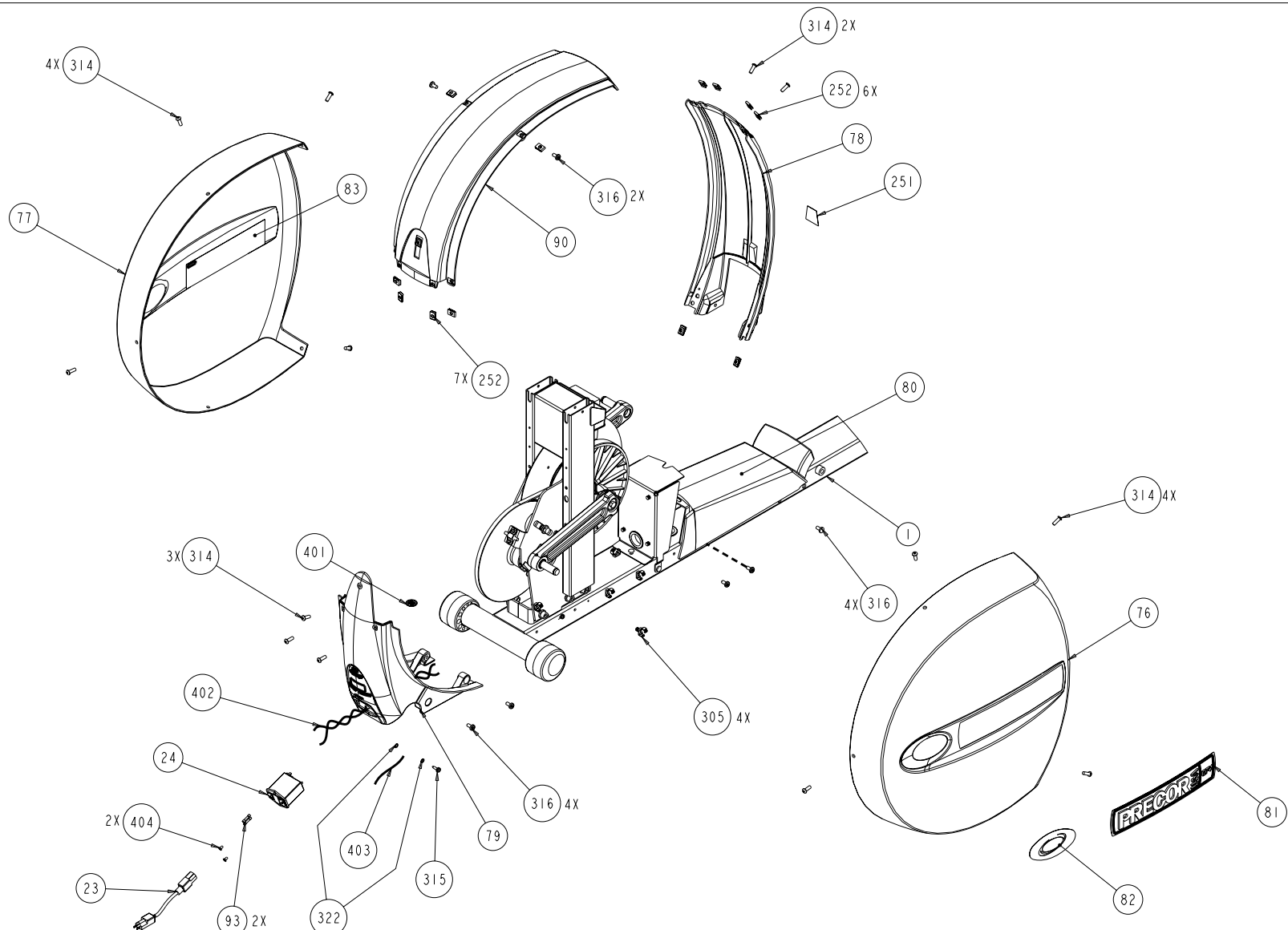
5.21 i	P/N 44710-101	REV: LO2
DRAWN BY: THOMSON	DATE: 23.OCT.08	SHEET 2 OF 6



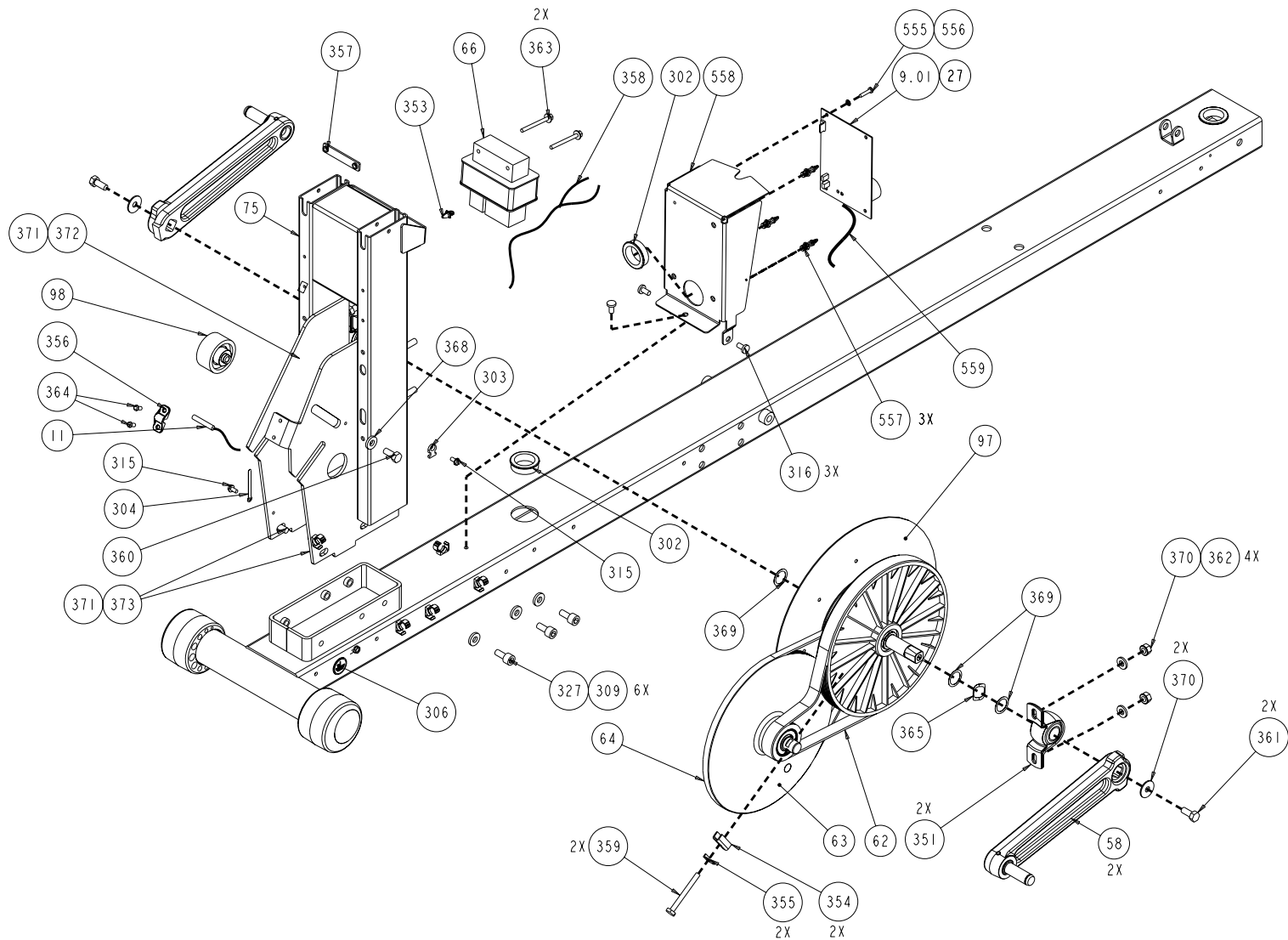
5.21i	P/N 44710-101	REV: LO2
DRAWN BY: THOMSON	DATE: 23.OCT.08	SHEET 3 OF 6



5.21i	P/N 44710-101	REV: LO2
DRAWN BY: THOMSON	DATE: 23.OCT.08	SHEET 4 OF 6



5.21i	P/N 44710-101	REV: LO2
DRAWN BY: THOMSON	DATE: 23.OCT.08	SHEET 5 OF 6



5.21 i	P/N 44710-101	REV: LO2
DRAWN BY: THOMSON	DATE: 23.OCT.08	SHEET 6 OF 6

5.21i (serial code SS)

Part Number	Description	Bubble Number
44337-107	WLDMT, LWR FRM, RTL EFX, THD, PT	1
47134-109	ASSY,PCA&SW,5.21I,TD,UPR	4
47156-101	ASSEMBLY, DISPLAY FACE, 5.21I, TD	6
44905-084	ASSY,CBL,MOD,8P8C,1-1,SILVER,84"	7
44905-084	ASSY,CBL,MOD,8P8C,1-1,SILVER,84"	8
44439-101	ASSEMBLY, REED SWITCH,34.5"	11
44442-204	ACTUATOR, LIFT,CALIBRATED, W/O NUT	16
44491-101	ASSY, HANDLEBAR, LEFT, 5.23, 5.21I	21
44491-102	ASSY, HANDLEBAR, RIGHT, 5.23, 5.21I	22
10392-111	POWER CORD,125VAC,10A,8.0 FT	23
12167-102	PWR ENTRY MOD & FILTER,250VAC,W/2.5	24
45199-202	IC,CPU,PGMD,EFX5.23,LWR,V2.02	27
11415-102	COUPLER,MOD,8P8C,INLINE,SNAP-IN	29
43329-102	WIRE FORM,PLASTIC,COMMERCIAL	36
44487-101	WELD, ARC TUBE, THREADED, 5.23,PT	37
44379-101	COVER,FRONT,RIGHT,CHARCOAL GRAY	38
44454-101	COVER,FRONT,LEFT,CHARCOAL GRAY	39
44555-101	ASSY, EFX COVER, FRONT, TOP	40
44384-101	COVER, UPPER MOUNT, RETAIL EFX, CHA	41
44318-104	WELD,MAIN TUBE,RIGHT,RETAIL EFX,PT	42
44318-103	WELD,MAIN TUBE,LEFT,RETAIL EFX,PT	43
44489-102	ASSY, RAMP, 5.23/5.21I	44
44333-103	ASSY, RAMP, LIFT BRKT, RETAIL EFX	45
45517-103	ASSY, LIFT NUT AND YOKE	46
44344-206	STAIRARM RAIL,5.23 EFX,PT [2X1.25X0	47
48337-101	ASSY, STAIRARM WHEEL, CONSUMER EFX,	49
37314-108	PEDAL, FOOT	50
44363-103	ASSEMBLY, CRANK ARM, RETAIL, W/PRES	58
10217-130	BELT, DRIVE, POLY V (DAYCO 27-0628)	62
44301-101	ASSY, STEP-UP PULLEY,RETAIL EFX,5X3	63
10217-131	BELT, DRIVE, POLY V (DAYCO 27-0627)	64
39314-101	ELECTROMAGNET,EC BRAKE,	66
44471-104	ASSY,DRIVE WELDNT, RETAIL EFX	75
43606-106	ASSY, EFX COVER, RIGHT RETAIL, 5.21	76
43606-108	ASSY, EFX COVER, LEFT,5.21I	77
44479-101	ASSY, FRONT PANEL, EFX COVER, REAR	78
43707-102	SUPPORT, REAR COVER,CHARCOAL GRAY	79
43840-101	WEDGE, REAR COVER, EFX,CHARCOAL GRA	80
43610-102	LABEL, EFX COVER, REAR	81
38299-102	LABEL,LOGO,ELIPSE,5.21SI,DURO-LENZ,	82
44788-102	LABEL, WIRING DIAGRAM, 5.21I	83
43179-101	BACKPLATE, DISPLAY, COMMERCIAL, CHA	85
11406-103	FOOT, LEVELER, RUBBER BASE, 1.5"LG	86
44916-102	FOOT, ADJUSTABLE	87
37535-102	FOOT, FIXED	88
38301-101	ASSY,PIVOT BLOCK	89
44480-102	ASSY, TOP PANEL, EFX COVER, REAR	90
12223-250	FUSE,TIME-DELAY,2.5A,250V,5X20MM	93

12223-400	FUSE, TIME-DELAY, 4A, 250V, 5X20MM	93
11075-105	FUSE, 2.00A, 250VAC, SLOW, RADIAL	94
44300-103	ASSY, DRIVE INPUT, RETAIL	97
38320-104	IDLER, PULLEY	98
44705-101	LABEL, ACCESSORY TRAY, ENG, 5.211 NC	152
MGCN016-038	SCREW, MCH, 8-32X3/8, PANHD, PHIL,	155
37499-103	CLAMP, HANDLEBAR, BLACK, PT	176
CATN025-125	SCREW, SKHD, 1/4-20X1.25, BLK SHARPERI	177
PNKN025-075	SCREW, PANHD, PHIL, TYPEF, 1/4-20X.75, B	178
CATN025-088	SCREW, SKHD, 1/4-20X7/8, BLK SHARPERIZ	201
11476-102	PIN, RING, LOCKOUT	202
WATNN020-002	WASHER, LK-INT, #10, ID=.200,	203
CBTN019-050	SCREW, SKHD, #10X32X0.50, BLK SHRPRZD	204
47546-101	LABEL, CAUTION	251
10136-103	CLIP, U TYPE, TINNERMAN, 1/4-20	252
50583-101	CS KIT, FOOT PEDAL PLUG, EFX, 12 PC	270
48340-101	SPACER, RAIL, URETHANE	276
TENE006-010	SCREW, BTTNHD, SKT C/S, M6X1X10MM	277
KDTN031-025	LOCKNUT, FULL, 5/16-18, BLK SHARPERI	278
KATN031-016	LOCKNUT, HALF, 5/16-18, BLK SHARPERIZ	279
RANN031-200	SCREW, SHLD, 5/16 X 2, HEXSC	280
HATN031-200	SCREW, HEX HD, 5/16-18 X 2, BLK SHA	281
WEGN031-007	WASHER, FLT, 5/16X.688X.065, SS, BLK	284
48340-102	SPACER, RAIL, URETHANE, RED	295
AAHN063-003	RING, RETAINER, 5/8, EXTERNAL	301
10178-112	BUSHING, SNAP	302
12240-101	CLAMP, CABLE	305
33984-101	LABEL, SAFETY, GROUND SYMBOL	306
45109-068	ASSY, CBL, LPCA TO LIFT, 68"	308
CATN031-075	SCREW, SKHD, 5/16-18X0.75, BLK SHARPER	309
CBTN016-100	SCREW, SKHD, 8-32X1, BLK SHARPERIZED	310
CCGN038-150	SCREW, SKHD, 3/8-16X1.50, BLK OXIDE	311
KACN038-015	LOCKNUT, HALF, 3/8-16, ZN	312
KECN016-019	LOCKNUT, FULL 8-32, ZINC	313
TFTN025-075	SCREW, BTHD, 1/4-20X3/4, BLK SHARPERIZ	314
PKCN019-075	SCREW, S/T, #10X.75, WSHHXHD, ZN	315
PNKN025-050	SCREW, PANHD, PHIL, TYPEF, 1/4-20X.5, BZ	316
RANN038-125	SCREW, SHLDR, 3/8 X 1 1/4, HEX	317
TCNN038-275	SCREW, BTHD, 3/8-16X 2.75, SS	319
WAGNN062-001	WASHER, WAVE, .87 OD X .62 ID	320
WAGNN048-001	WASHER, WAVE (SSR-0062)	321
WATNN020-002	WASHER, LK-INT, #10, ID=.200,	322
WBFNN047-002	WASHER, MYLAR, 7/16	323
WNNN051-002	WASHER, SHIM, 1/2X3/4X.020THK	324
WNNN063-001	WASHER, FLT, 5/8X.880X.010	325
WPNN038-006	WASHER, FLAT, 3/8 X 1/16 THK,	326
WRCN031-009	WASHER, GRADE 8, 3/8, 13/32 ID, 13/16OD	327
11245-104	BUSHING, HEAVY DUTY PILLOW BLK	351
11745-101	CLIP, SNAP-IN, NYLON, 1/4 DIA	353
37385-101	BRACKET, TENSIONER	354
37855-103	TAB, LOCKING	355

39360-102	RETAINER, SENSOR	356
44402-102	NUT PLATE, EC BRAKE, EFX	357
47753-038	ASSY, CBL, PCA/MAGNET, 38"	358
HACN025-250	SCREW, 1/4-20X2-1/2, HEX, GR 2, ZN	359
HCCN031-075	SCREW, HEX HD, GRADE 5, 5/16-18 X .	360
HRWE031-075	SCREW, SERRATED FLANGE HD, HEX, NYL	361
KGCN031-027	LOCKNUT, STARWASHER, 5/16-18, 1/2	362
MACN019-200	SCREW, HEX WASHER HEAD, #10-32 X 2.0	363
MGCN019-038	SCREW, PAN HEAD, MACHINE; 10-24 X3/8	364
WAHNN080-021	WASHER, WAVE .800 ID X 1.103 OD X	365
WNNN032-009	WASHER, FLT, .321X1.00X.090 THK	367
WBANN034-013	WASHER, FLAT, ID=11/32, OD3/4, TH=.125,	368
WNNN075-001	WASHER, SHIM, .75X1.50X.010 THK	369
WRCN031-009	WASHER, GRADE 8, 3/8, 13/32 ID, 13/16OD	370
PKCN019-050	SCREW, S/T, #10X1/2, WSHHXHD, ZN	371
11366-101	HOLDER, CABLE TIE	372
12103-101	CLAMP, CABLE, VINYL COATED	373
AAHN078-004	RING, EXTERNAL, .781, .042THK	373
37436-101	LABEL, CHASIS NEUTRAL	401
44437-013	ASSY, CABLE, GND, RING/QK DISC, 13"	403
MNCN013-031	SCREW, MCH, 6-32X5/16, FLTHD, PHIL	404
PKCN019-075	SCREW, S/T, #10X.75, WSHHXHD, ZN	526
WBCN019-005	WASHER, SAE, #10, ZN	527
MGCN016-075	SCREW, MCH, 8-32X3/4, PANHD, PHIL,	555
WATNN017-002	WASHER, LK-INT, #8, ID=.170,	556
12531-101	STANDOFF, PCB SUPPORT, BLIND HOLE, SNA	557
43932-101	BRACKET REPLACEMENT, PCA, EFX, PAIN	558
44435-024	ASSY, CABLE, 2-COND, 18 AWG, 24", Q	559
44495-101	KIT, HARDWARE, THREADED, 5.23	901
10186-101	WRENCH, ALLEN, 5/32	902
10186-103	WRENCH, ALLEN, 3/16	903
11311-101	ENDCAP, REC TUBE, BLACK PLASTIC, 50	904
HATN038-100	SCREW, HEXHEAD, GRADE 2, 3/8-16X1, BLK S	905
KPCN031-019	NUT, HEX THIN, 5/16-18, ZN	906
MGTN025-050	SCREW, PANHD, 1/4-20 X .5, BLK SHAR	907
TFTN025-075	SCREW, BTHD, 1/4-20X3/4, BLK SHARPERIZ	908
WEGN038-007	WASHER, FLT, 3/8, ID=.406, SS, BLK	909
44711-103	KIT, LITERATURE, 5.211	999